

# SunDome 548V

Sample Nameplate

(Location shown in illustration bottom)

**MODEL: S-548V**

**U= 220 V    60 Hz    P= 9900W**

**I= 45 A    Pf  $\Phi$ = >0.9    Phase 1**

**MFG. DATE: (month) (year)**

**S/N XXXXXXXX**



ETS LLC. 7445 COMPANY DR. INDIANAPOLIS, IN. 46237

**\*\*IMPORTANT**

**Voltage must be below 230V AC (loaded) or may require a Buck-Booster.**

**This equipment must be grounded.**

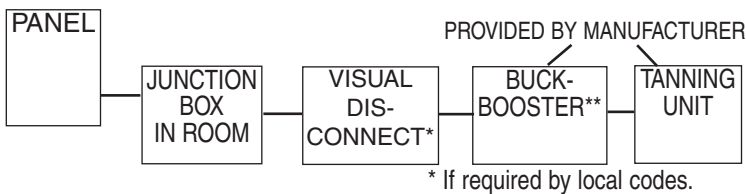
**Electrical Requirements**

- The **SunDome® 548V** operates from a 220V AC power source. The unit should be wired to a dedicated circuit. This unit must be hardwired directly to a junction box (or buck-booster\*\*). Minimum recommended circuit breaker is 60A.
- A flexible power cable (6/3 SO) exits the back of the unit. This cable's length allows connection to a junction box (or buck-booster\*\*) within 5' (1.5m) of the lower center of where the unit will be positioned (see illustration, bottom).
- The T-Max® cable (RJ-22) plugs into the unit directly above the power cable (see illustration below). The RJ-22 jack is approximately 5' off the floor.

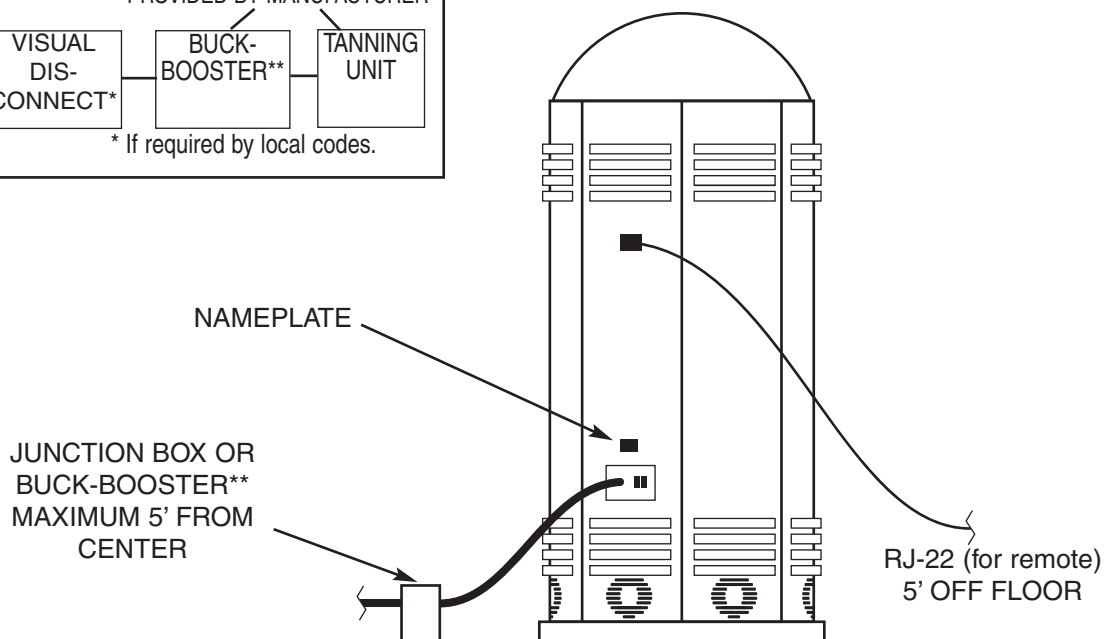
**WARNING**

**To maintain your T-Max® warranty use only approved modular cables or wireless modules, available from T-Max® or ETS, LLC.**

**TYPICAL HOOK-UP** (may vary according to salon requirements)

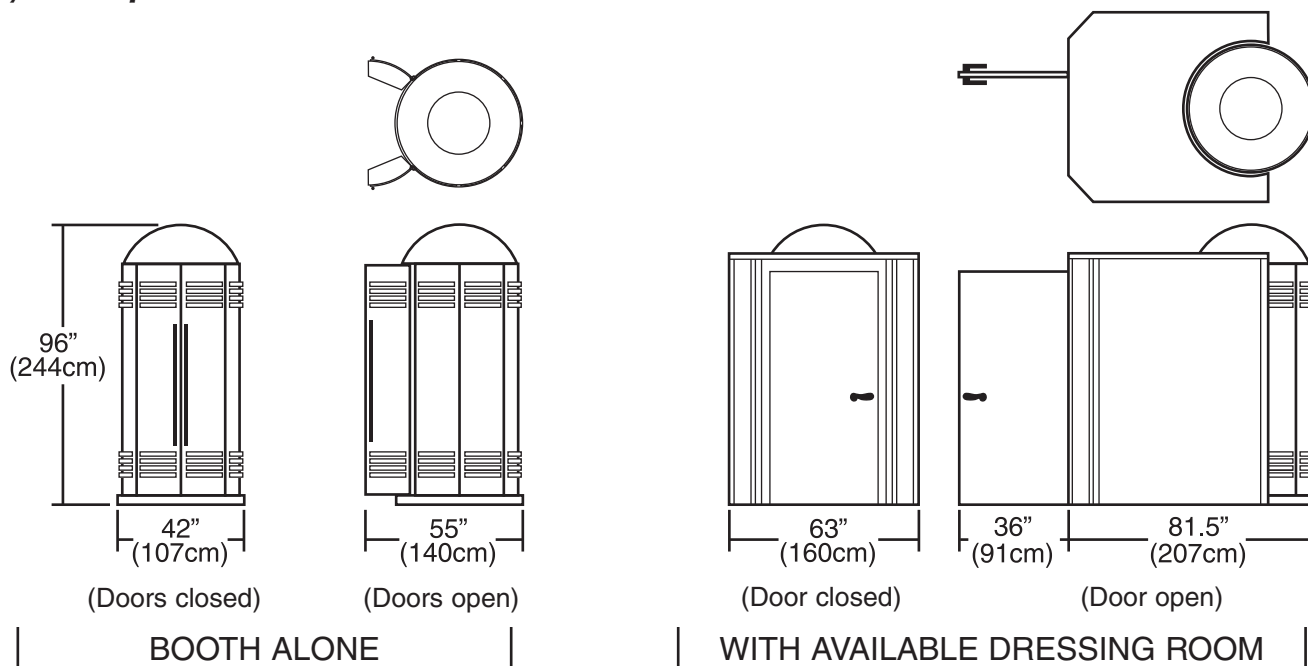


REAR OF UNIT SHOWN



# Spec Sheet - 548V continued

## Physical Specs



Overall Size	See above
Minimum Room Size	5' x 5' (1.5m x 1.5m)
Recommended Room Size	6' x 6' (1.8m x 1.8m)
Weight	970lbs (441kg)
Recommended A/C Tonnage (room)	1.5
Remote Cable	RJ-22 to back

**CAUTION**

Air from the room is used to cool the unit. Maximum ambient room temperature should be 80°F. It is recommended that you place your booth no closer than 6" from any wall. Make sure nothing obstructs the airflow into or out of the fan openings. A poorly ventilated room may cause the unit to become hot and cause discomfort to the user.

This product is in conformity with performance standards for sun lamp products under 21 CFR PART 1040.20 and ANSI/UL Standard 482. Certified to CAN/CSA Standard C22.2 NO. 224.



**ets tan**  
your partner in tanning™

**CALL FOR SERVICE OR QUESTIONS:  
1•800•449•3605**

7445 Company Drive, Indianapolis, IN 46237-9296