

STARPOWER 548

Sample Nameplate


MODEL: S-548-4FH

U= 220 V 60 Hz P= 10120 W

I= 46 A Pf Φ= >0.9 Phase 1

MFG. DATE: (month) (year)

S/N XXXXXXXX



ETS LLC. 7445 COMPANY DR. INDIANAPOLIS, IN. 46237

Located behind front access panel, on underside of bench reflector. See illustration on reverse.

****IMPORTANT**

Voltage must be below 230V AC (loaded) or may require a Buck-Booster.

This equipment must be grounded.

WARNING

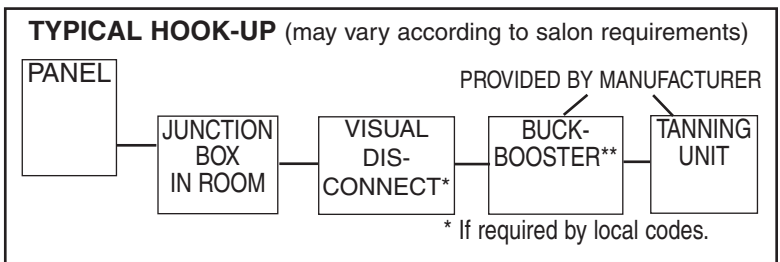
To maintain your T-Max® warranty use only approved modular cables or wireless modules, available from T-Max® or ETS, LLC.



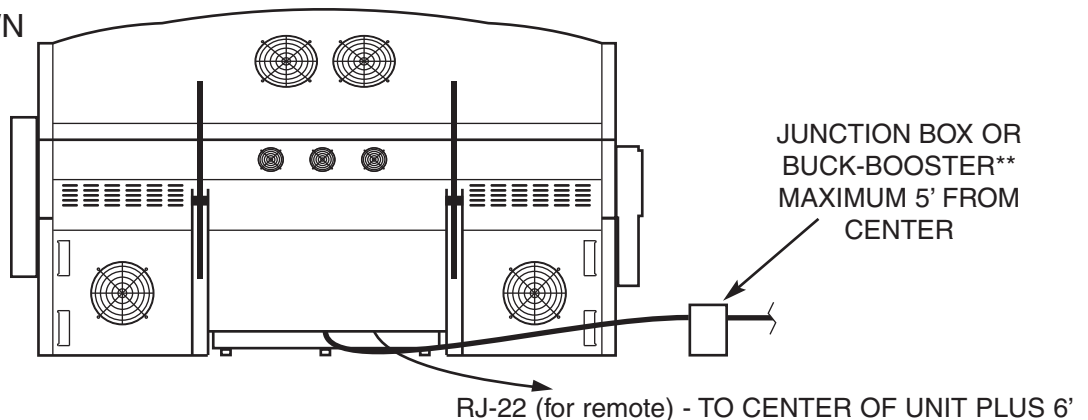
This product is in conformity with performance standards for sun lamp products under 21 CFR PART 1040.20 and ANSI/UL Standard 482. Certified to CAN/CSA Standard C22.2 NO. 224.

Electrical Requirements

- The **StarPower® 548** operates from a 220V AC power source. The unit should be wired to a dedicated circuit. This unit must be hardwired directly to a junction box (or buck-booster**). Minimum recommended circuit breaker is 65A.
- A flexible power cable (6/3 AWG) exits the back of the unit. A junction box (or buck-booster if needed**) must be positioned within 5' (1.5m) of the bottom, center of where the unit will be positioned (see illustration, bottom).
- The T-Max® cable (RJ-22) enters the unit at the same point as the power cable (see illustration below and reverse). It connects to the FRONT of the ballast drawer requiring an additional 6' (1.8m) of length to allow the drawer to pull out.

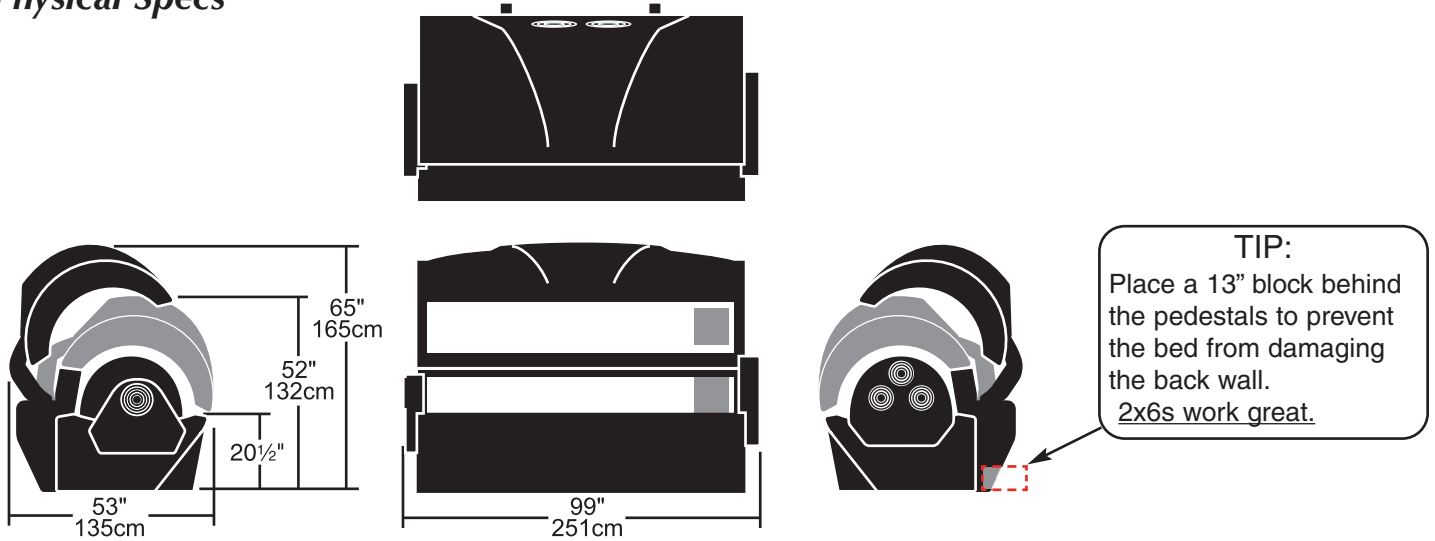


REAR OF UNIT SHOWN



Spec Sheet - 548 continued

Physical Specs

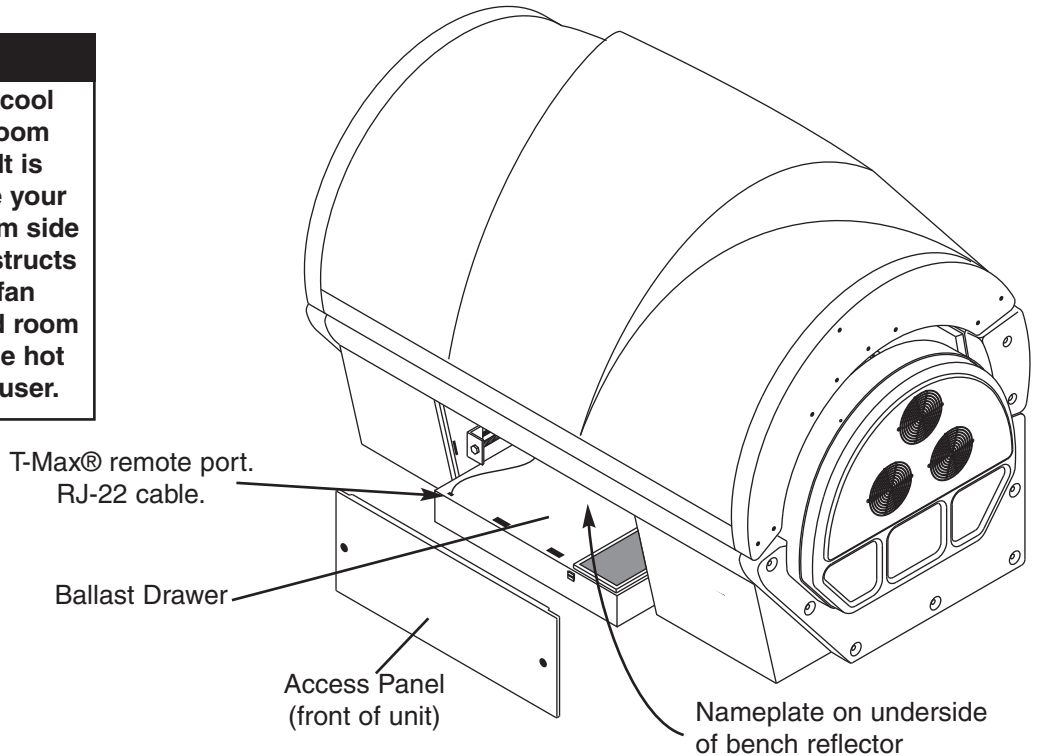


Overall Size	See above
Recommended Room Size	10'L x 9'W (3m x 2.7m)
Minimum Room Size*	9'-3"L x 6'-5"W (2.8m x 2.0m)
Weight	1050lbs (477kg)
Remote Cable	RJ-22 to center, back + 6'
Recommended A/C Tonnage	1.5

*** NOTE:** Minimum room size **does not** account for swinging doors. Be sure to adjust construction plans accordingly.

CAUTION

Air from the room is used to cool the unit. Maximum ambient room temperature should be 80°F. It is recommended that you place your sunbed no closer than 6" from side walls. Make sure nothing obstructs the airflow into or out of the fan openings. A poorly ventilated room may cause the unit to become hot and cause discomfort to the user.



CALL FOR SERVICE OR QUESTIONS: 1•800•449•3605
 7445 Company Drive, Indianapolis, IN 46237-9296