


Sunvision 28LE series

Sample Nameplate (28LE 2F shown)

MODEL: S-28LE2FH
U= 220 V 60 Hz P= 3740 W
I= 17 A Pf Φ = >0.9 Phase 1
MFG. DATE: (month) (year)
S/N XXXXXXXXX

 ETS LLC. 7445 COMPANY DR. INDIANAPOLIS, IN. 46237

Located next to power cord.

****IMPORTANT**

Voltage must be below 230V AC (loaded) or may require a Buck-Booster.


This equipment must be grounded.

To achieve compliance with Canadian Standards Association's (CSA) standard CAN/CSA C22.2 No. 224, connect only to a circuit protected by a Class A Ground Fault Circuit Interrupter.



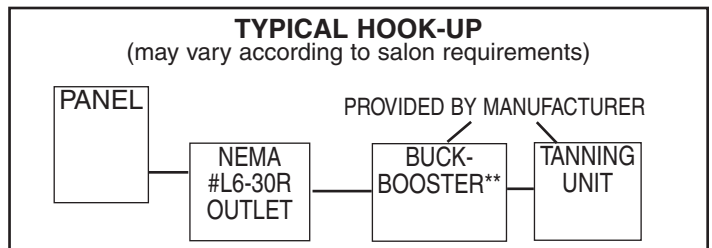
This product is in conformity with performance standards for sun lamp products under 21 CFR PART 1040.20 and ANSI/UL Standard 482. Certified to CAN/CSA Standard C22.2 NO. 224.

Electrical Requirements

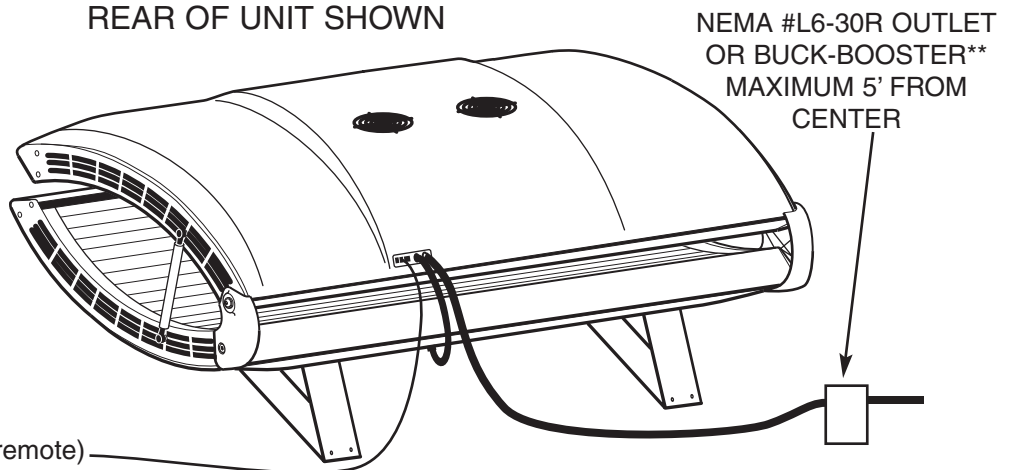
- The *Sunvision*® 28LE operates from a 220V AC power source. This unit comes complete with a plug. Plug directly into a NEMA #L6-30R receptacle or suitable buck-booster**. At 220V AC the 28LE no-face draws 16A, the 28LE 2-face draws 17A.  NEMA #L6-30R Receptacle
- A flexible power cable exits the back of the unit. A NEMA #L6-30R receptacle (or buck-booster**) must be positioned within 5' (1.5m) of the center of the canopy where the unit will be positioned (see illustration, bottom).
- The T-Max® cable (RJ-22 or wireless module) plugs into the unit next to the power cable (see illustration bottom).

WARNING

To maintain your T-Max® warranty use only approved modular cables or wireless modules, available from T-Max® or ETS, LLC.

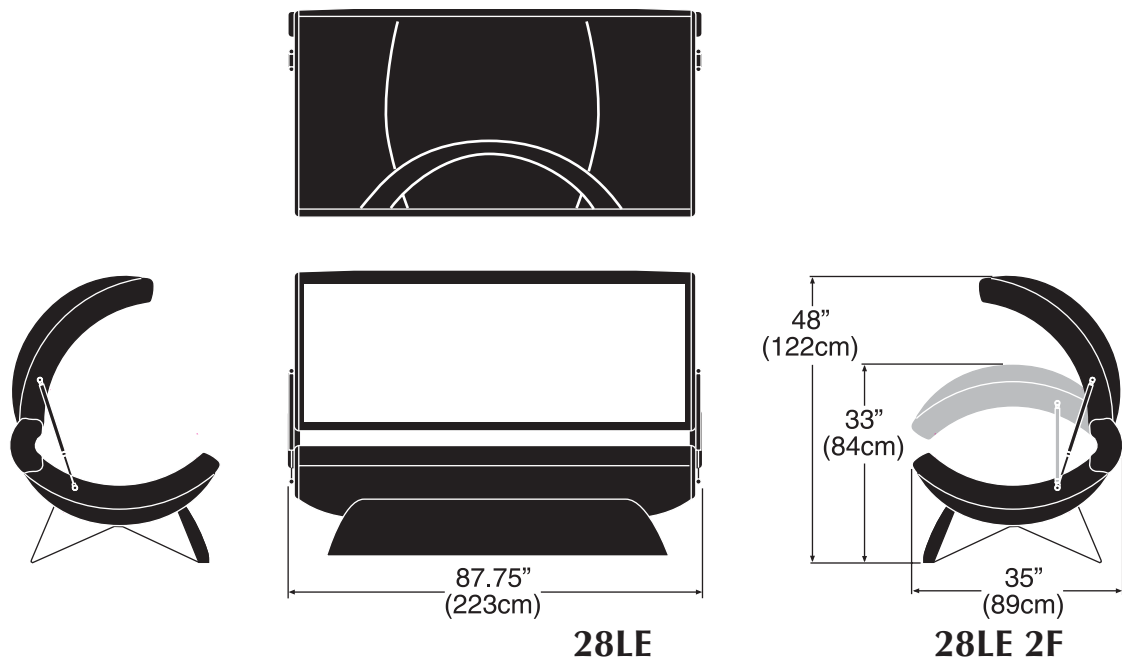


REAR OF UNIT SHOWN



Spec Sheet - 28LE continued

Physical Specs



Overall Size	See above	See above
Recommended Room Size	9'L x 6'W (2.7m x 1.8m)	
Minimum Room Size*	8'-3"L x 5'W (2.5m x 1.5m)	
Weight (Pounds)	329 (150kg)	376 (171kg)
Remote Cable	RJ-22 to center, back	
Recommended A/C Tonnage	0.5	0.5

⚠ CAUTION

Air from the room is used to cool the unit. Maximum ambient room temperature should be 80°F. It is recommended that you place your sunbed no closer than 6" from any wall. Make sure nothing obstructs the airflow into or out of the fan openings. A poorly ventilated room may cause the unit to become hot and cause discomfort to the user.

*** NOTE:** Minimum room size **does not** account for swinging doors. Be sure to adjust construction plans accordingly.



CALL FOR SERVICE OR QUESTIONS: 1•800•449•3605
7445 Company Drive, Indianapolis, IN 46237-9296